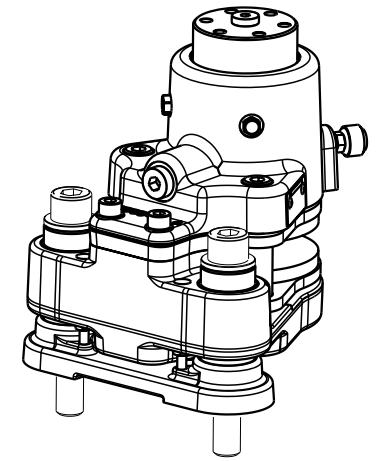
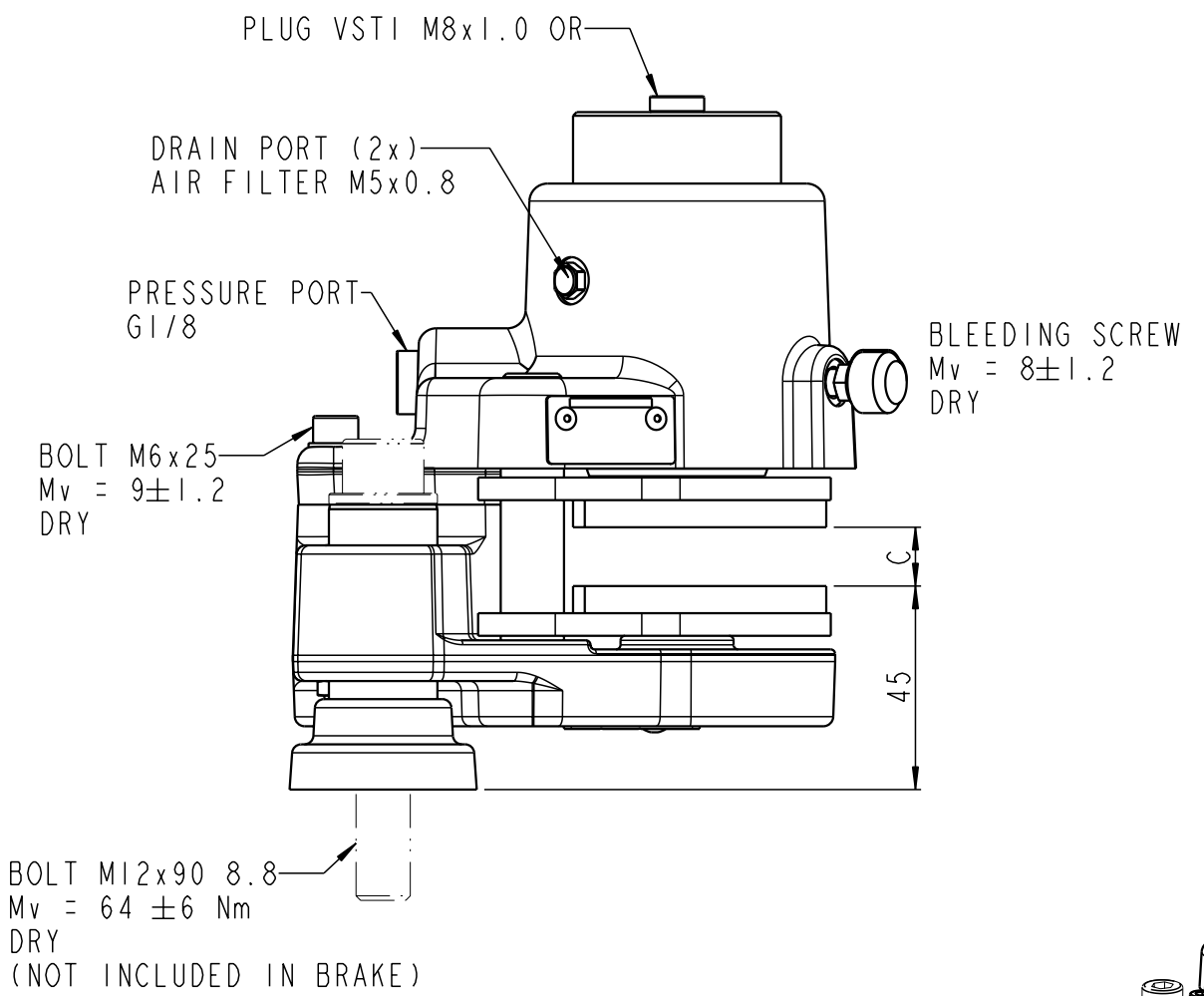
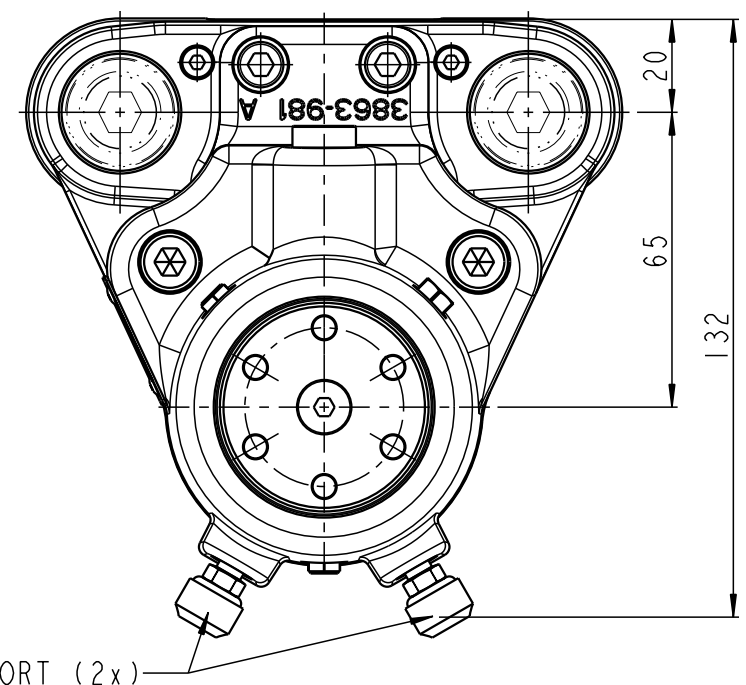
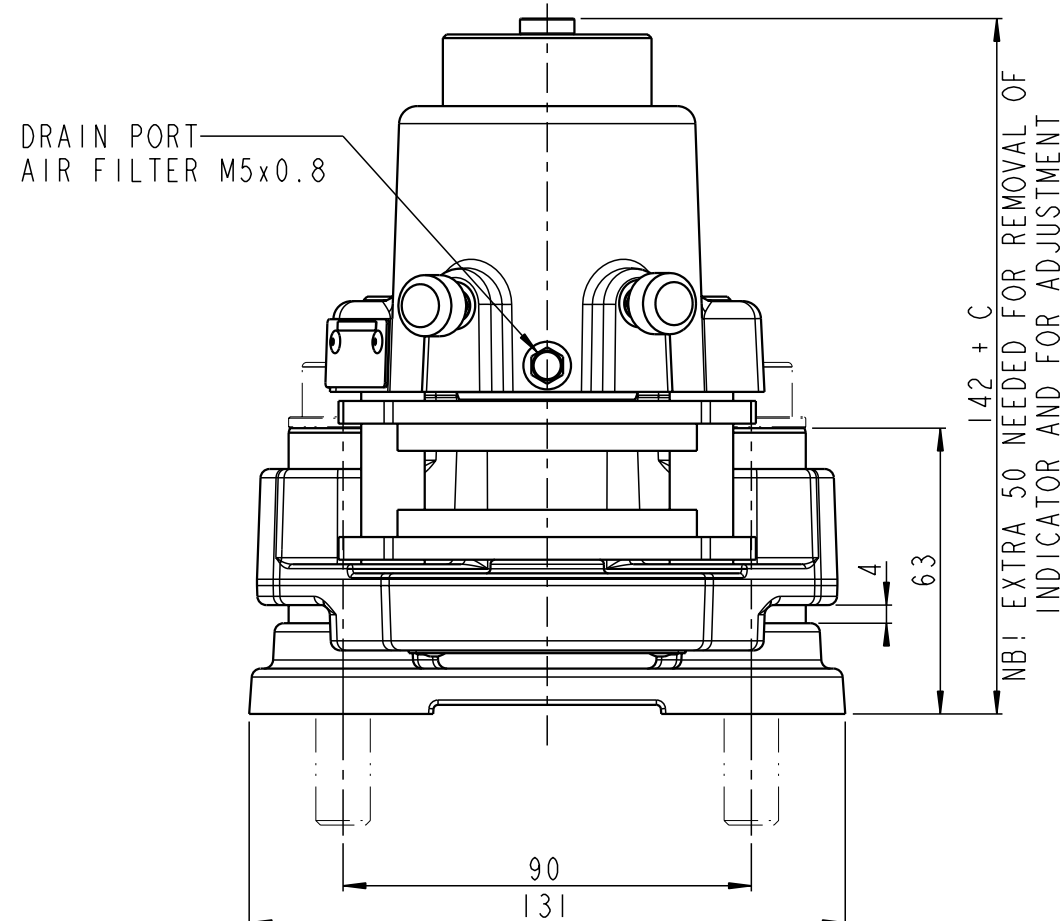


A B C D E F



BRAKE CAN MOVE ON SHAFTS:
 WITHOUT POSITIONING SYSTEM MOUNTED: 6MM UPWARDS AND 3MM DOWNWARDS FROM NOMINAL MOUNTING DIMENSION (45)
 WITH STANDARD POSITIONING SYSTEM MOUNTED: 2MM UPWARDS AND 1/2 AIR GAP DOWNWARDS FROM NOMINAL MOUNTING DIMENSION (45)

C = BRAKE DISC THICKNESS = 12 MM
 MOUNTING DATA, SEE DRAWING: 490-4016
 WEIGHT: APPROX. 6 KG INCL. BRAKE PADS

MOUNTING BOLTS NOT INCLUDED

TOLERANCES FOR INTERNAL AND EXTERNAL RADII, ANGLES AND CHAMFERS ACCORDING TO: ISO 2768 - mK		ALL DIMENSIONS IN mm	DRAWING STATUS
DRAWN BY SFR		DESCRIPTION BSFI 100-MS12S-100	Released
DATE 23.07.2008			
DRAWING NO. 490-3866		REVISION D	4
		SCALE 3:5 (A3)	
		SHEET 1 OF 1 SHEETS	