

SVENDBORG BRAKES, DENMARK
 CVR / VAT: 13256438
 WWW.SVENDBORG-BRAKES.COM

THIS DRAWING/DRAWING DOCUMENT REMAINS THE PROPERTY OF SVENDBORG BRAKES AND MUST NOT BE COPIED WITHOUT OUR PRIOR WRITTEN PERMISSION. AND THE CONTENTS THEREOF MUST NOT BE DISCLOSED TO ANY THIRD PARTY. NOR BE USED FOR ANY UNAUTHORIZED PURPOSE. LEGAL ACTION WILL BE TAKEN IN THE EVENT OF CONTRAVENTION.

REV. E 93200 NCH 03.07.2006
 REV. F 97472 CAS 28.11.2014
 REV. G 97785 SFR 29.04.2015

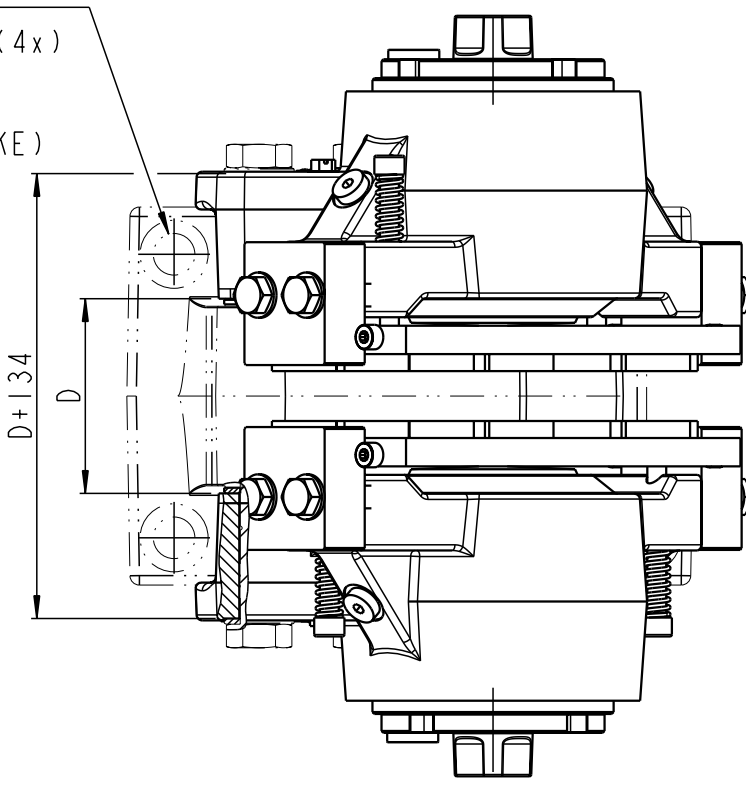
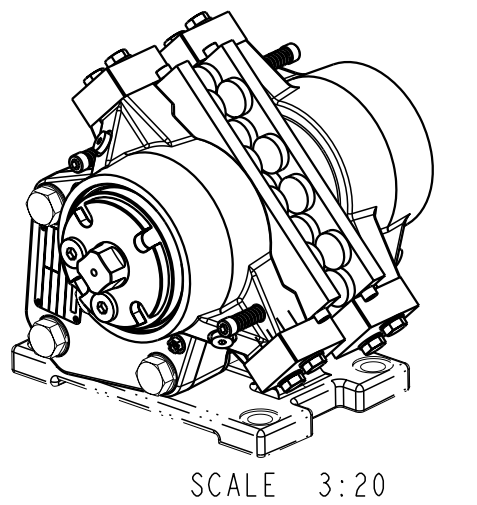
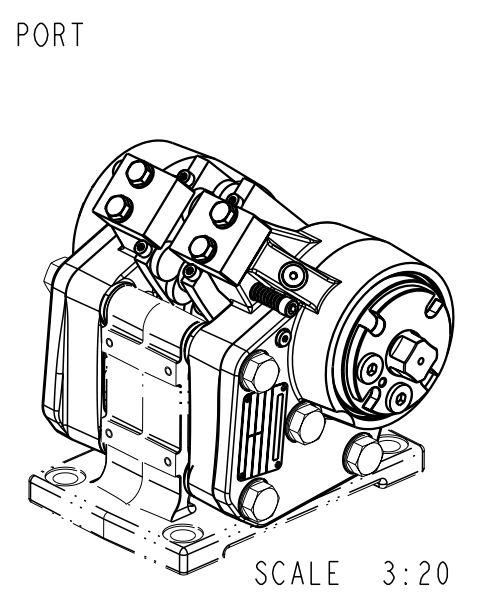
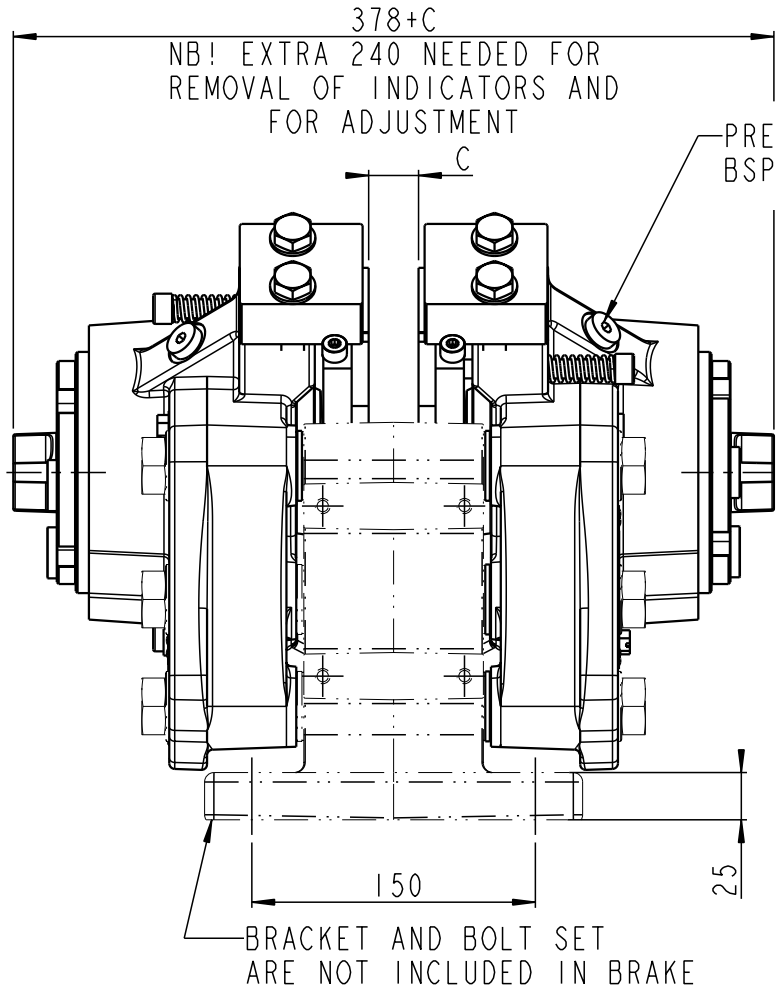
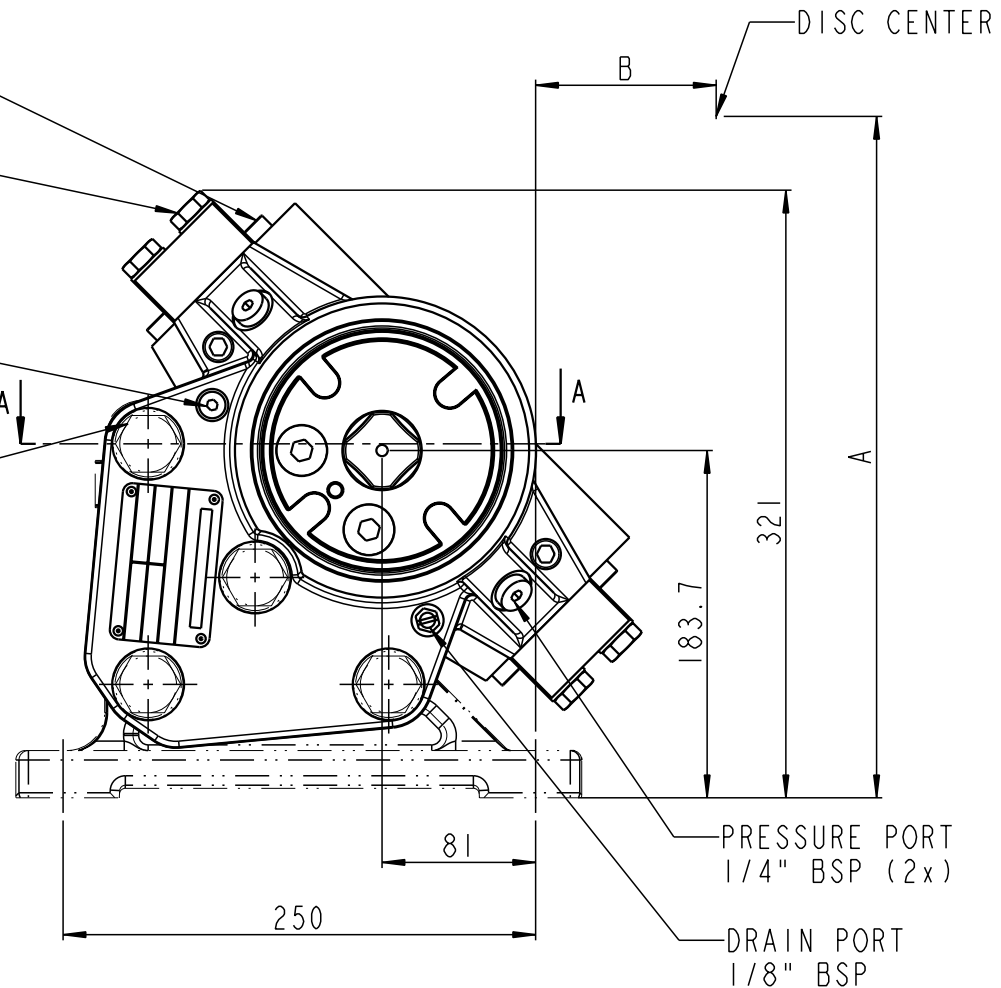
BOLTS M8 GRADE 8.8
 $M_v = 23 \pm 2 \text{ Nm}$
 DRY

BOLTS M12 GRADE 10.9
 $M_v = 91 \pm 8 \text{ Nm}$
 WITH MoS 2

DRAIN PORT
 1/8" BSP

BOLTS FOR BRAKES SMALLER THAN BSFI 350:
 M20 GRADE 8.8
 $M_v = 305 \pm 20 \text{ Nm}$ WITH MoS2
 BOLTS FOR BRAKES BSFI 350 AND LARGER:
 M20 GRADE 10.9
 $M_v = 430 \pm 20 \text{ Nm}$ WITH MoS2

$\varnothing 22$ (4x) FOR BOLTS M20 GRADE 8.8 (4x)
 $M_v = 305 \pm 20 \text{ Nm}$ WITH MoS2
 (NOT INCLUDED IN BRAKE)



A = (DISC RADIUS + 195) x 0,707
 B = A - 265
 C = DISC THICKNESS
 D = C + 77
 CALIPER HERE SHOWN WITH 25MM THICK DISC
 MOUNTING DATA, SEE DRAWING 490-2349

Tolerances for internal and external radii, angles and chamfers according to: ISO 2768 - mK	Indicates Ra in μm	All dimensions in mm	Drawing status
	Description		Released
Drawn by R.R. HANSEN	BSFI 300-S-200		
Date: 22-06-00	Drawing No.		Scale 1:4 (A3)
		490-2293	Sheet 1 of 1 sheets

SVENDBORG BRAKES RESERVES THE RIGHT TO REVISE THIS DOCUMENT WITHOUT PRIOR NOTIFICATION OR OBLIGATION

CONFIDENTIAL

RELEASED by sasja.frisk